

# LITHIUM

LiFePO4

LITHIUM (LiFePO4) | High Performance

REF **BSLi-10**



**12v** VOLTAGE

**72Wh** ENERGY

**360A** CCA - A (EN)

### TECHNOLOGY

- Lithium Iron Phosphate cells construction
- Pre-charged batteries
- Homologated by OEM

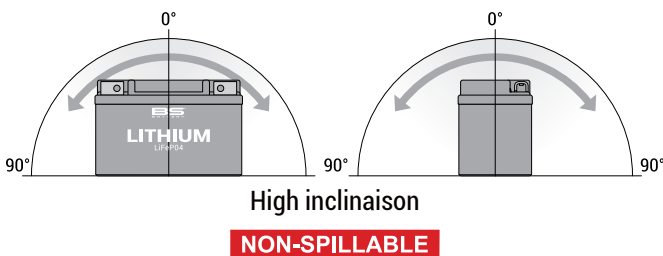
### FEATURES

- Fast charging
- Multi-positioning mounting
- Very safe and environmental friendly
- Extensive cycle life: over 2000 cycles
- Very low self-discharge
- Cold temperature performance
- Waterproof design
- Ready to use: just plug and play
- Robust brass terminals
- Heat resistance: up to 230 C°
- Lighter weight

### REPLACEMENTS

BTX20L	BTX20L-BS	B50-N18L-A	51913
BTX20HL	BTX20HL-BS	B50-N18L-A2/	51814
BTX24HL	BTX24HL-BS	A3/AT	
SLA12-19	SLA12-19-BS		

### MOUNTING ANGLE

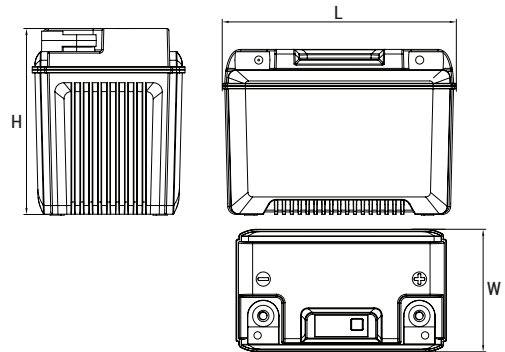


### OPERATING TEMP. RANGE

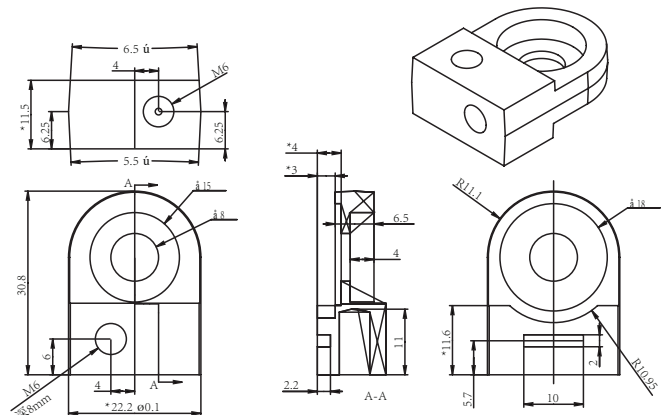
Charge temperature:	0°C to 45°C
Discharge temperature:	-20°C to 55°C
Storage temperature:	0°C to 30°C

### DIMENSIONS & WEIGHT

Length (L):	148±1mm
Width (W):	86±1mm
Height (H):	105±2mm
Weight:	1.28kg (tolerance ±3%)



### TERMINALS (mm)



# LITHIUM

LiFePO4

LITHIUM (LiFePO4) | High Performance

REF **BSLi-10**



**12v** VOLTAGE

**72Wh** ENERGY

**360A** CCA

### TECHNOLOGY

- Lithium Iron Phosphate cells construction
- Pre-charged batteries
- Homologated by OEM

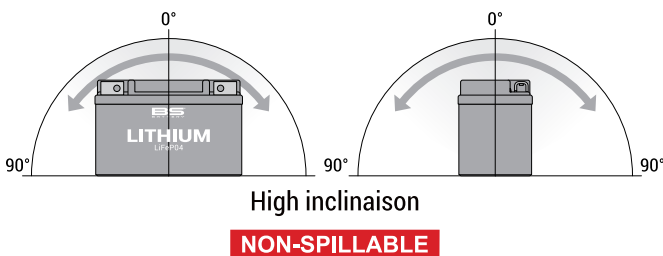
### FEATURES

- Fast charging
- Multi-positioning mounting
- Very safe and environmental friendly
- Extensive cycle life: over 2000 cycles
- Very low self-discharge
- Cold temperature performance
- Waterproof design
- Ready to use: just plug and play
- Robust brass terminals
- Heat resistance: up to 230 C°
- Lighter weight

### REPLACEMENTS

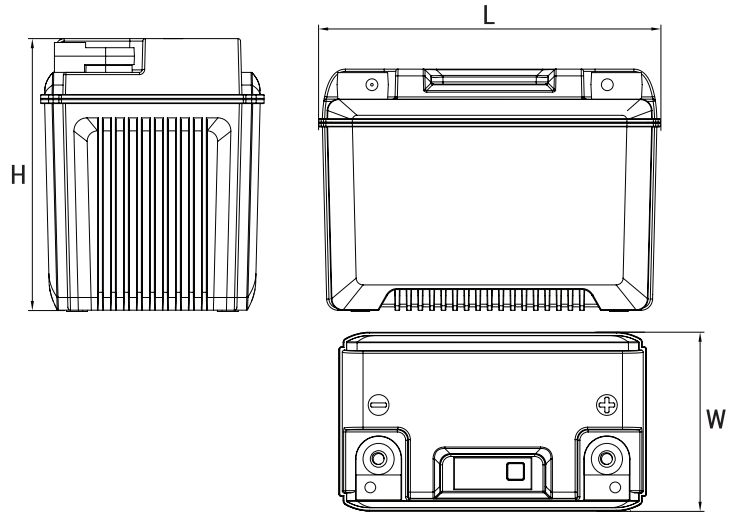
BTX20L	BTX20L-BS	B50-N18L-A	51913
BTX20HL	BTX20HL-BS	B50-N18L-A2/	51814
BTX24HL	BTX24HL-BS	A3/AT	
SLA12-19	SLA12-19-BS		

### MOUNTING ANGLE



### DIMENSIONS & WEIGHT

Length (L): 148±1mm  
 Width (W): 86±1mm  
 Height (H): 105±2mm  
 Weight: 1.28kg (tolerance ±3%)



### TERMINALS (mm)

